





JAKA Zu[®] 3 Cobot

-  **Weight** : 13.5 kg
-  **Loading** : 3 kg
-  **Working radius** : 587 mm
-  **Repeatability** : ± 0.03 mm

Product Features

- Flexible and light
- Small space requirement
- High Cost-effective

Recommended Markets

3C electronics , Medical treatments , scientific researches , Injection molding



Wireless connection
No need of traditional teaching device



Safety collaboration
Built-in torque feedback detection



Graphic programming
Easy use for zero basis



Open Cooperation
Compatible with ROS operating system



Integrated Joints
Easy to disassemble and transport

Technical Parameter

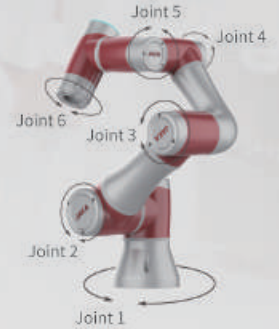
Character

Payload	3kg
Weight (W cable)	13.5kg
Work radius	587mm
Repeatability	±0.03mm
Axis	6
Programming	graphical programming, free-drive
Teach pendant	MT (PAD/Mobile) APP
Collaborative operation	Accordance with GB11291.1-2011
Power	200W
Temperature range	0-50°C
IP Specification	IP54
Installation	Installation at any Angle
Tool I/O	Digital input 2 Digital output 2 Analog input 1
Tool I/O power	24V
base diameter	129mm
Materials	aluminum, PP
Tool I/O size	M6
Cable length	6 m

Scope and speed *

Robot	Work scope	Max speed
Joint 1	±270°	180°/s
Joint 2	-85°, +265°	180°/s
Joint 3	±175°	180°/s
Joint 4	-85°, +265°	180°/s
Joint 5	±270°	180°/s
Joint 6	±270°	180°/s
Max speed	/	1.5m/s

*When moving within the joint limit, interference may occur due to end tools or installation environment. Please determine the range of motion according to the actual situation.

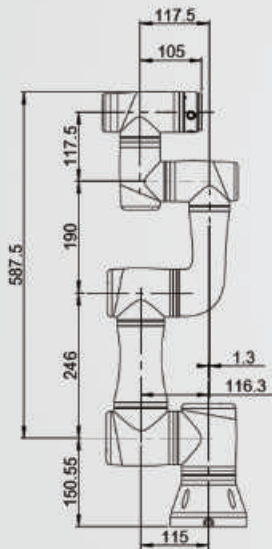


Control Cabinet

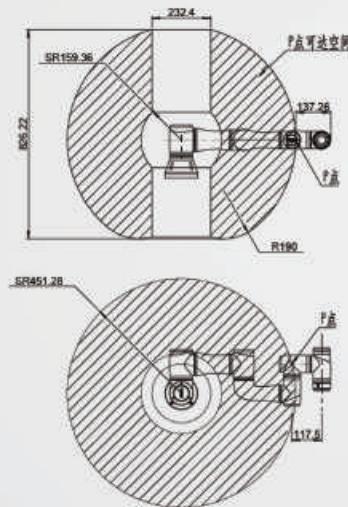
IP Specification	IP20
Tool I/O	16 Digital input/16 Digital output /2 Analog input or output
I/O Power	24V
communication	TCP/IP, MODBUS TCP/RTU
power	100-240VAC, 50-60Hz
size	400×230×260(mm) (W×H×D)
weight	15.5kg
material	Stainless steel



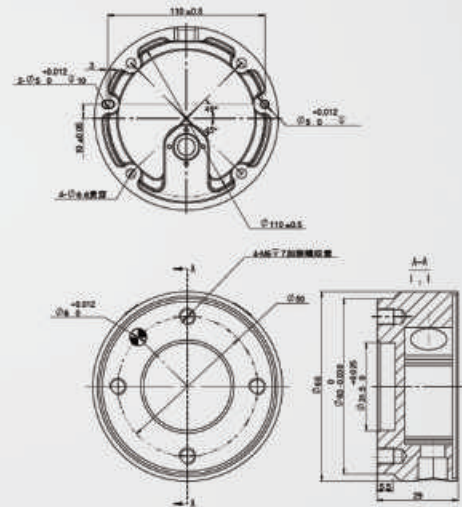
JAKA Zu 3 Layout



JAKA Zu 3 work radius



JAKA Zu 3 P point front view / top view



JAKA Zu 3 base / flange

Shanghai JAKA Robotics Ltd

Address : Room 301, Building 6, No. 555, Dongchuan Road, Minhang District, Shanghai, China

Tel : 400-006-2665 Email : marketing@jaka.com Web : www.jaka.com

All rights reserved by JAKA. Reproduction in whole or part without written permission is prohibited. All warranty information, product functions and specifications are subject to the change without notice.

